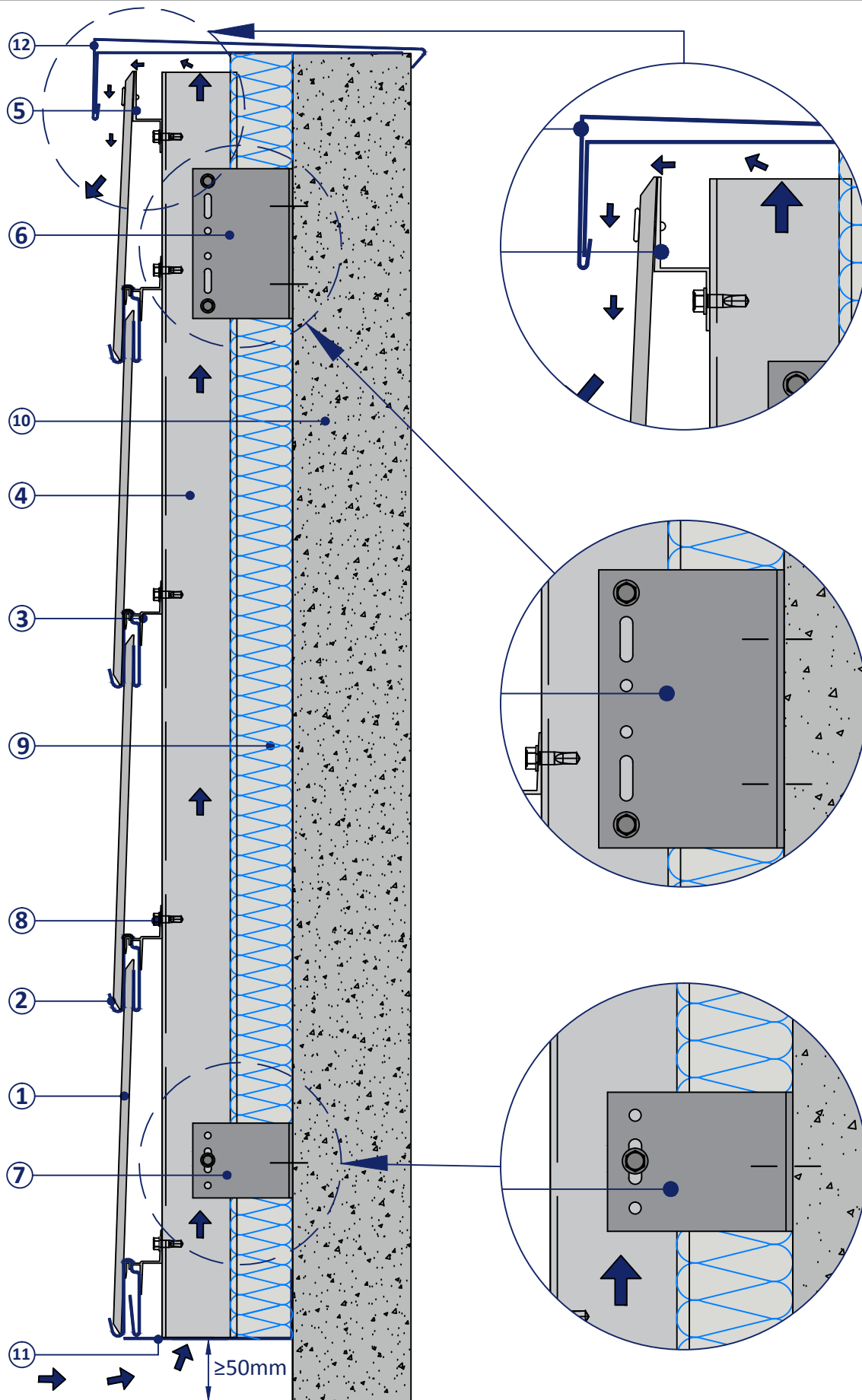


**CUPACLAD® 201
VANGUARD**

System details

CUPACLAD
by CUPA-GROUP



- 1. CUPA PIZARRAS Natural slate
- 2. Special clip CUPACLAD® 201-V
- 3. Horizontal rail CUPACLAD® 201-V
- 4. Vertical "L" rail 50x60
- 5. Top horizontal rail

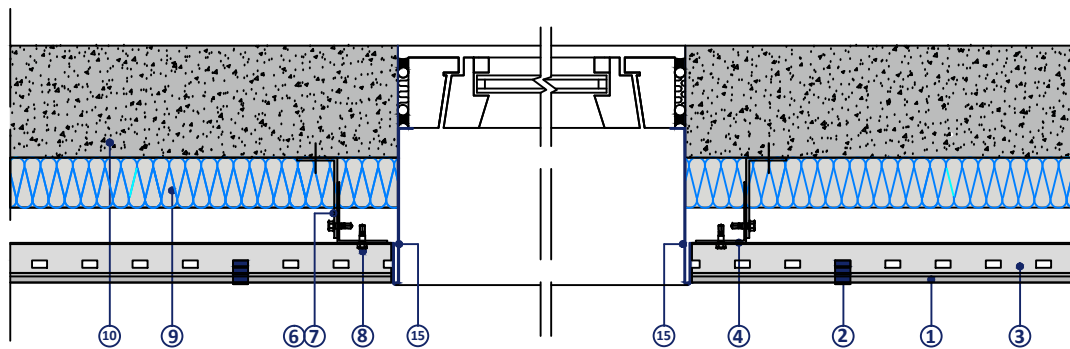
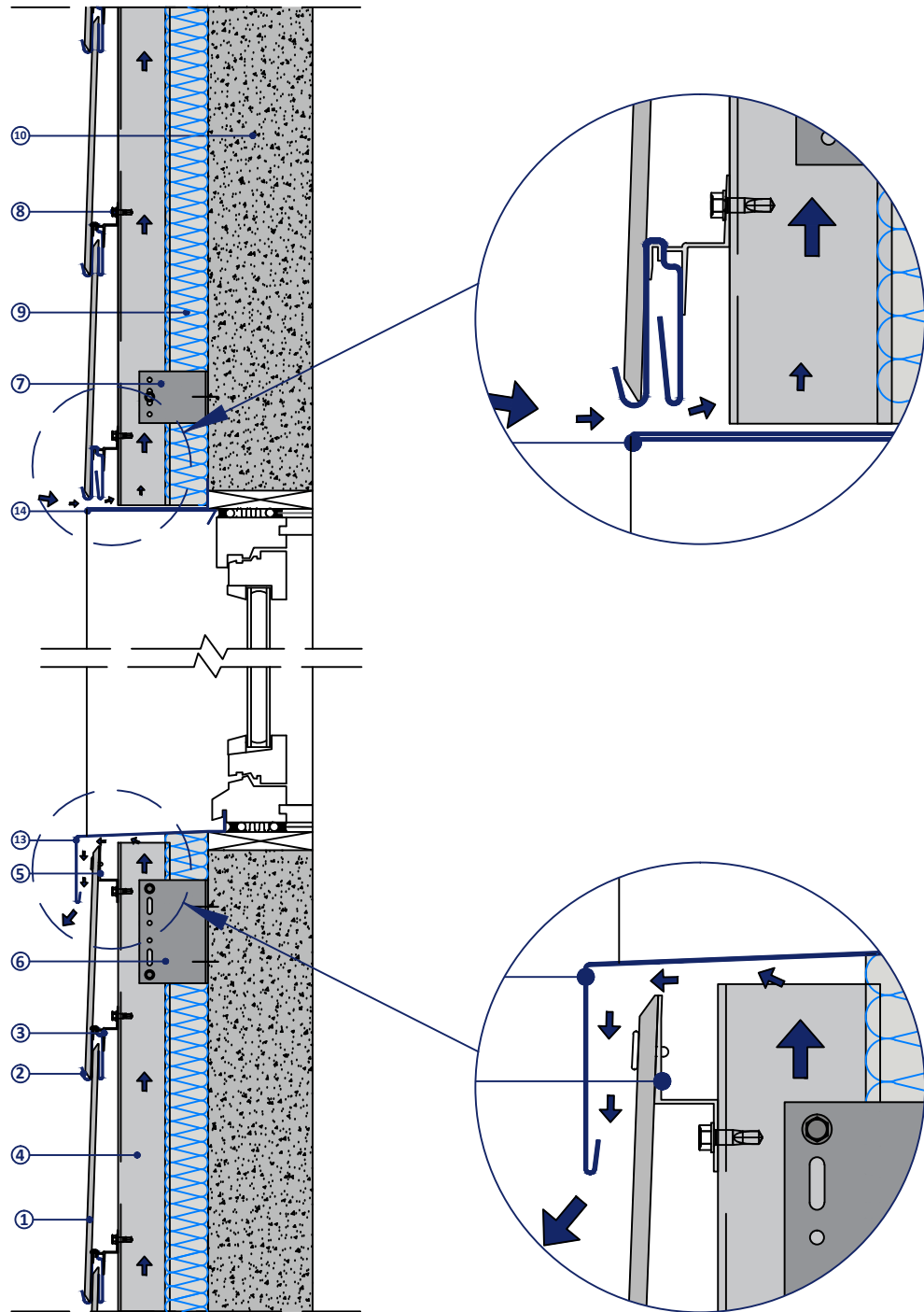
- 6. Metal bracket "fixed point"
- 7. Metal bracket "floating point"
- 8. Self-drilling Inox screw
- 9. Insulation material
- 10. Load-bearing wall

- 11. Ventilation grill
- 12. Coping flashing
- 13. Sill flashing
- 14. Lintel flashing
- 15. Jamb flashing
- 16. Metal flashing

**CUPACLAD® 201
VANGUARD**

Coping and base detail

CUPACLAD
by CUPA-GROUP



- 1. CUPA PIZARRAS Natural slate
- 2. Special clip CUPACLAD® 201-V
- 3. Horizontal rail CUPACLAD® 201-V
- 4. Vertical "L" rail 50x60
- 5. Top horizontal rail

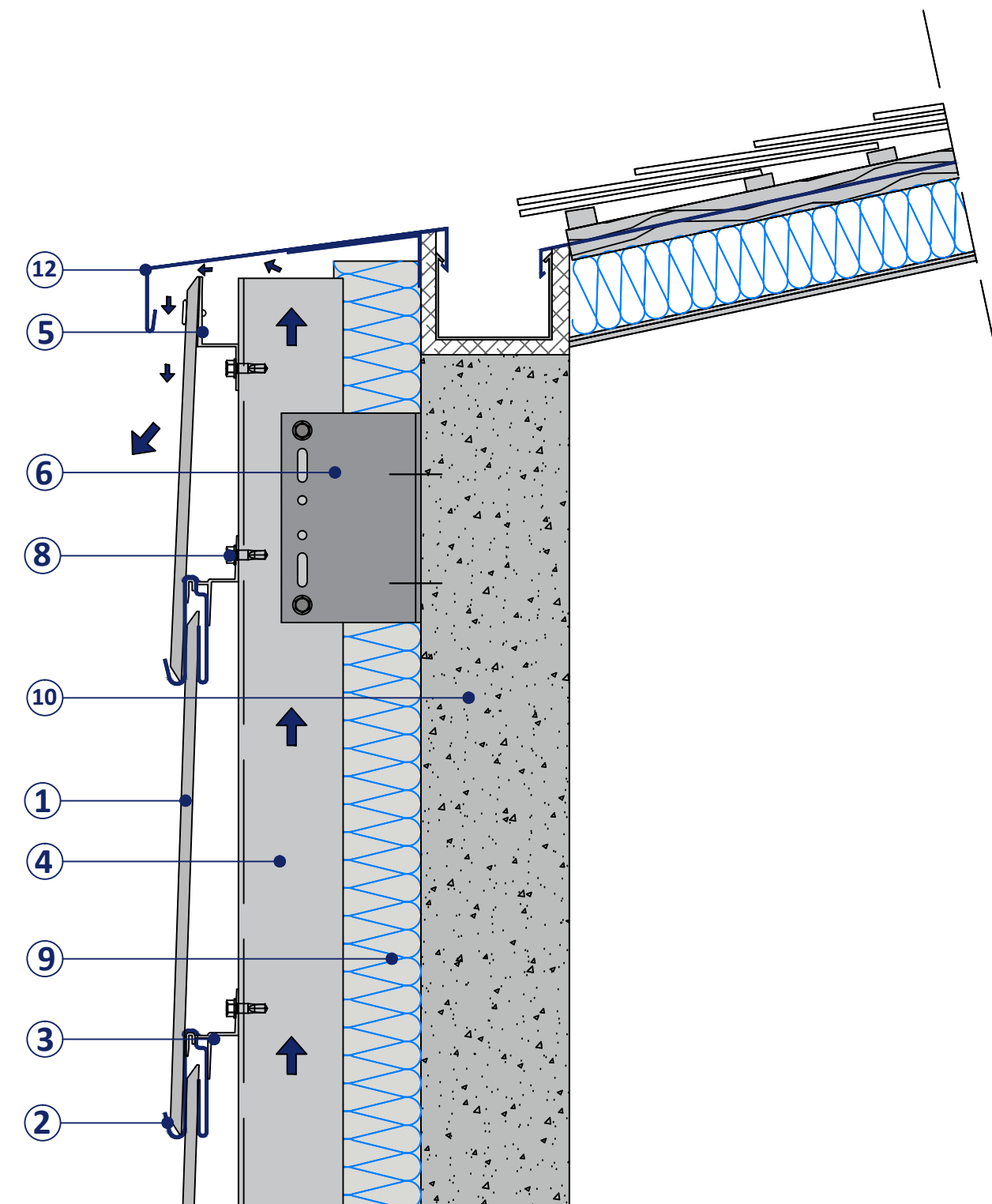
- 6. Metal bracket "fixed point"
- 7. Metal bracket "floating point"
- 8. Self-drilling Inox screw
- 9. Insulation material
- 10. Load-bearing wall

- 11. Ventilation grill
- 12. Coping flashing
- 13. Sill flashing
- 14. Lintel flashing
- 15. Jamb flashing
- 16. Metal flashing

**CUPACLAD® 201
VANGUARD**

Window frame details

CUPACLAD
by CUPA-GROUP



1. CUPA PIZARRAS Natural slate
2. Special clip CUPACLAD® 201-V
3. Horizontal rail CUPACLAD® 201-V
4. Vertical "L" rail 50x60
5. Top horizontal rail

6. Metal bracket "fixed point"
7. Metal bracket "floating point"
8. Self-drilling Inox screw
9. Insulation material
10. Load-bearing wall

11. Ventilation grill
12. Coping flashing
13. Sill flashing
14. Lintel flashing
15. Jamb flashing
16. Metal flashing

**CUPACLAD® 201
VANGUARD**

Coping detail. Pitched roof

CUPACLAD
by CUPA-GROUP

