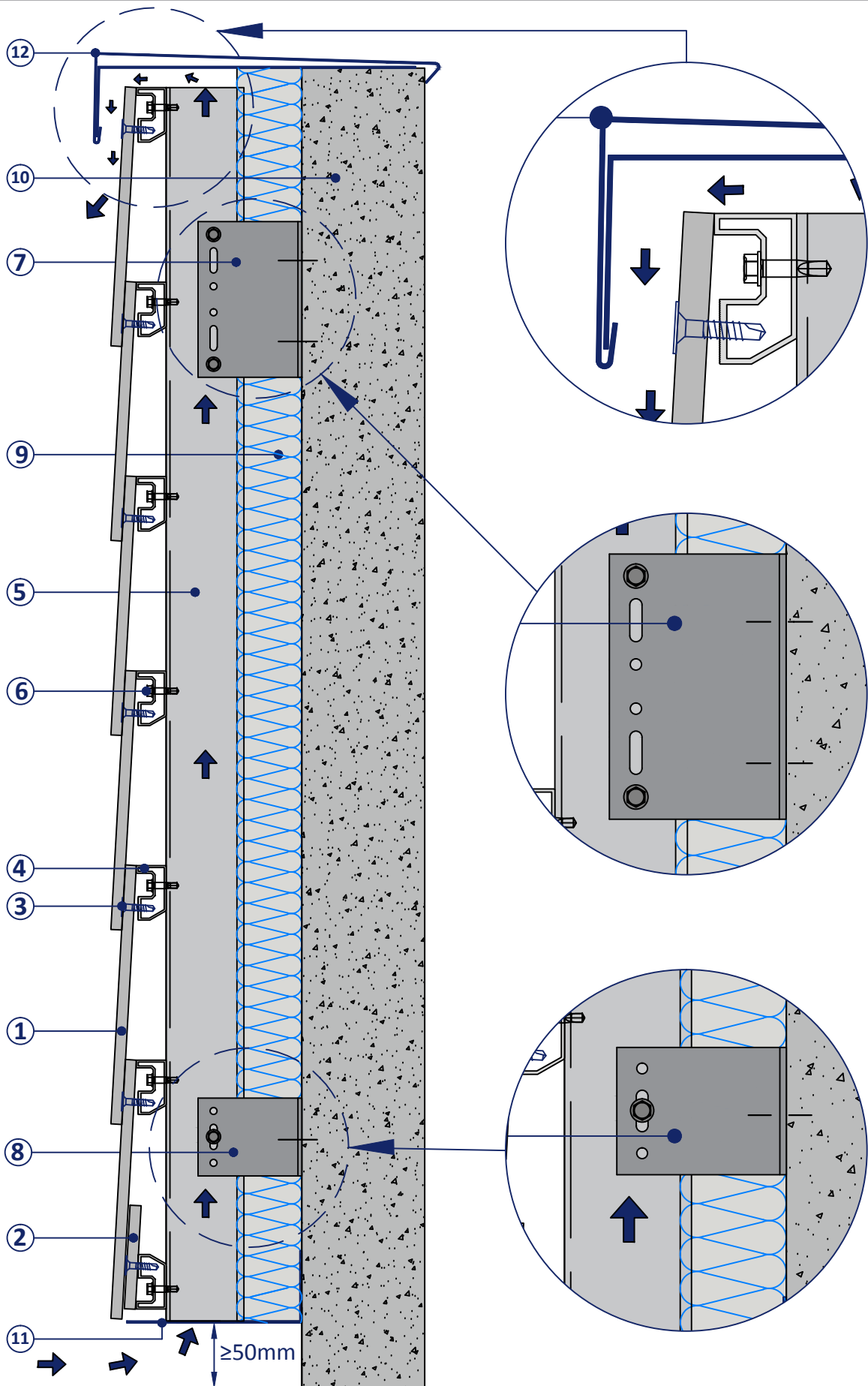


**CUPACLAD® 101**  
**LOGIC**

System details

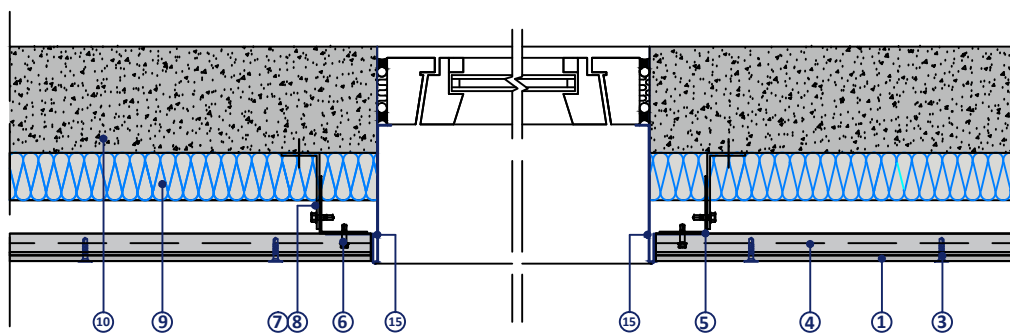
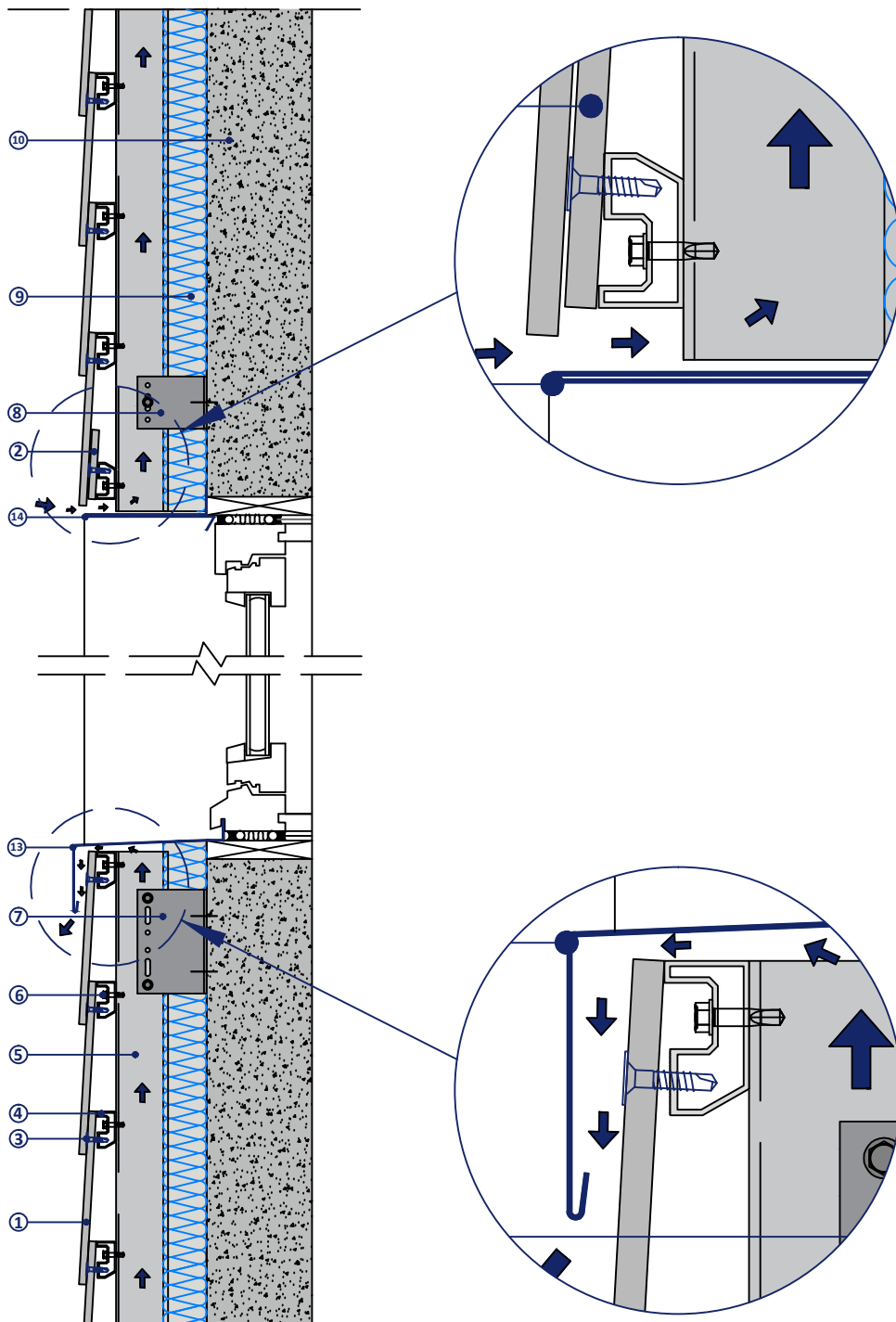
**CUPACLAD**  
by CUPA-GROUP



- 1. CUPA PIZARRAS Natural slate
- 2. Starter slate
- 3. Self-drilling screw, CUPACLAD® 101
- 4. Horizontal rail CUPACLAD® 101
- 5. Vertical "L" rail 50x60

- 6. Self-drilling Inox screw
- 7. Metal bracket "fixed point"
- 8. Metal bracket "floating point"
- 9. Insulation material
- 10. Supporting wall

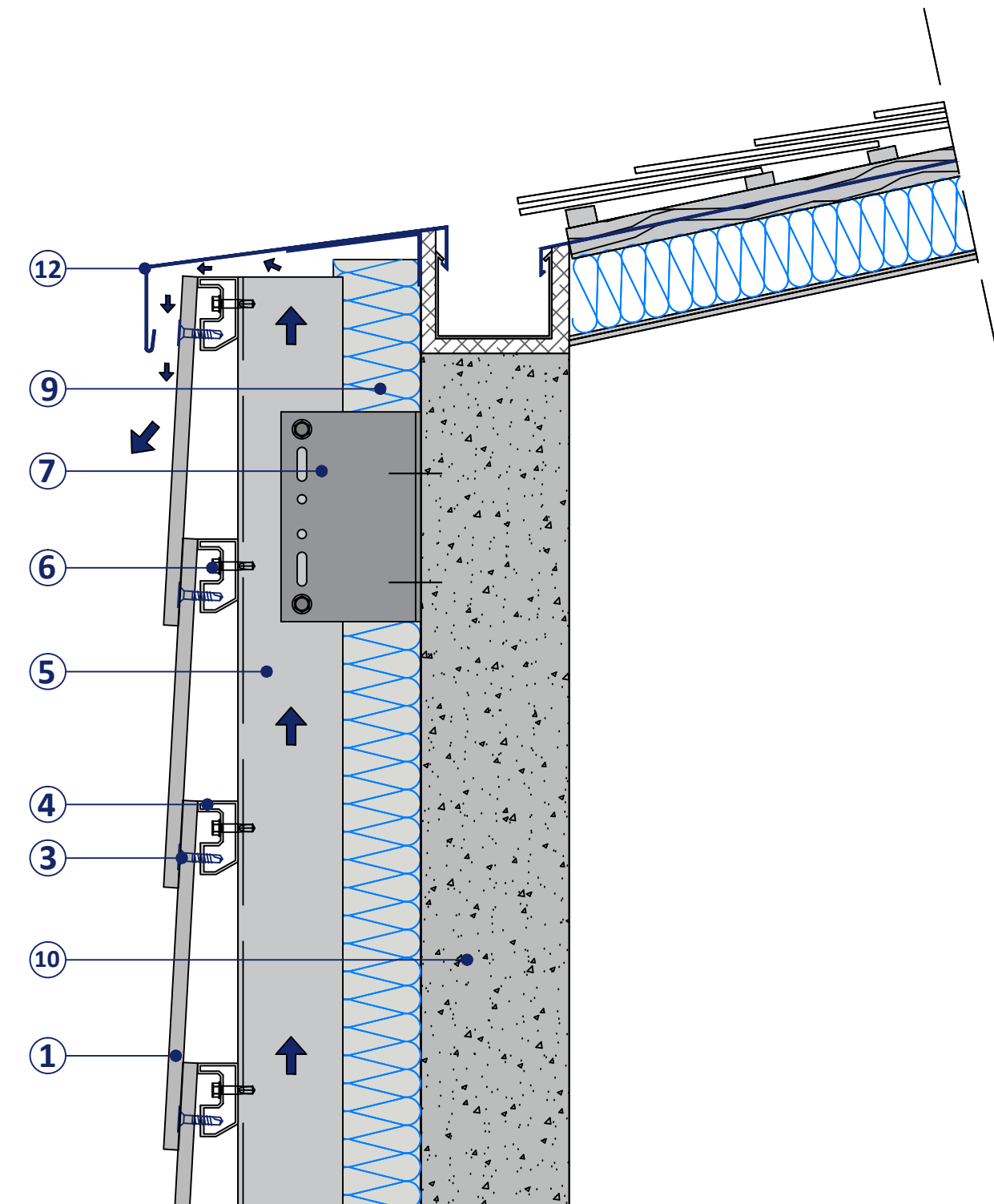
- 11. Ventilation grill
- 12. Coping flashing
- 13. Sill flashing
- 14. Lintel flashing
- 15. Jamb flashing
- 16. Metal flashing



1. CUPA PIZARRAS Natural slate
2. Starter slate
3. Self-drilling screw, CUPACLAD® 101
4. Horizontal rail CUPACLAD® 101
5. Vertical "L" rail 50x60

6. Self-drilling Inox screw
7. Metal bracket "fixed point"
8. Metal bracket "floating point"
9. Insulation material
10. Supporting wall

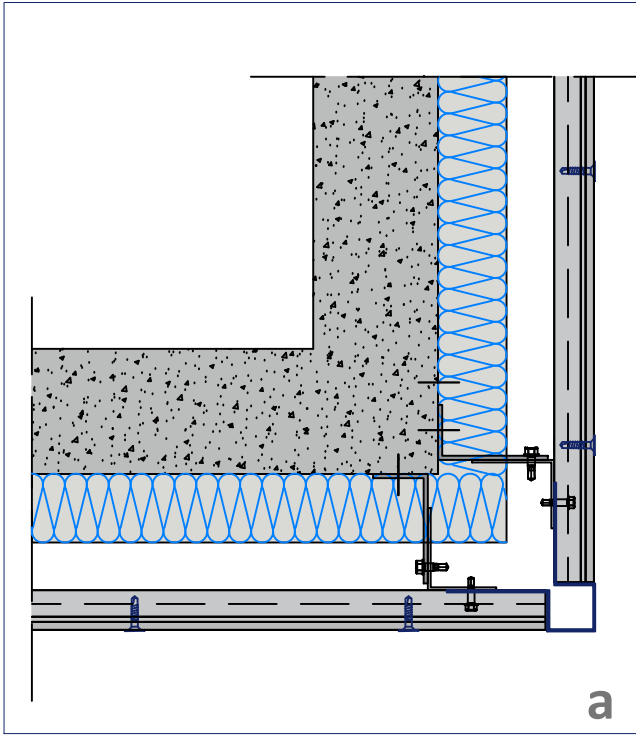
11. Ventilation grill
12. Coping flashing
13. Sill flashing
14. Lintel flashing
15. Jamb flashing
16. Metal flashing



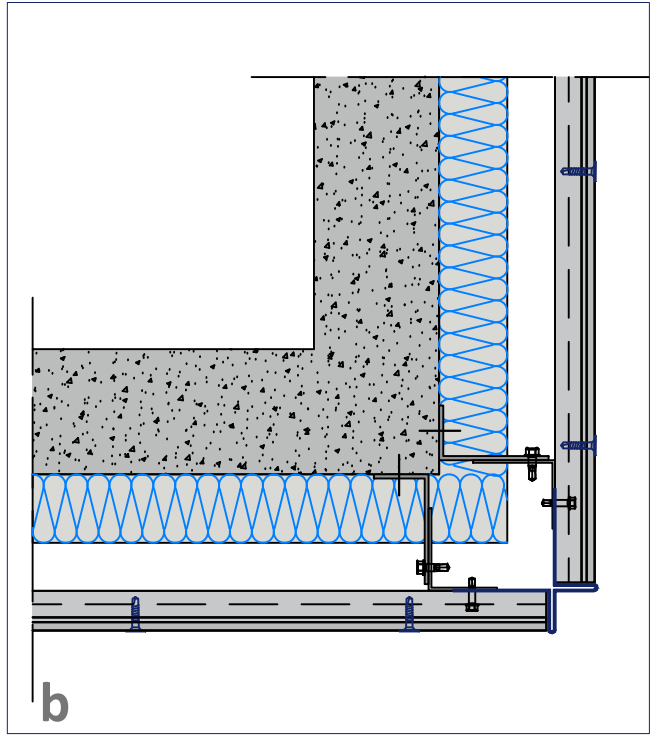
- 1. CUPA PIZARRAS Natural slate
- 2. Starter slate
- 3. Self-drilling screw, CUPACLAD® 101
- 4. Horizontal rail CUPACLAD® 101
- 5. Vertical "L" rail 50x60

- 6. Self-drilling Inox screw
- 7. Metal bracket "fixed point"
- 8. Metal bracket "floating point"
- 9. Insulation material
- 10. Supporting wall

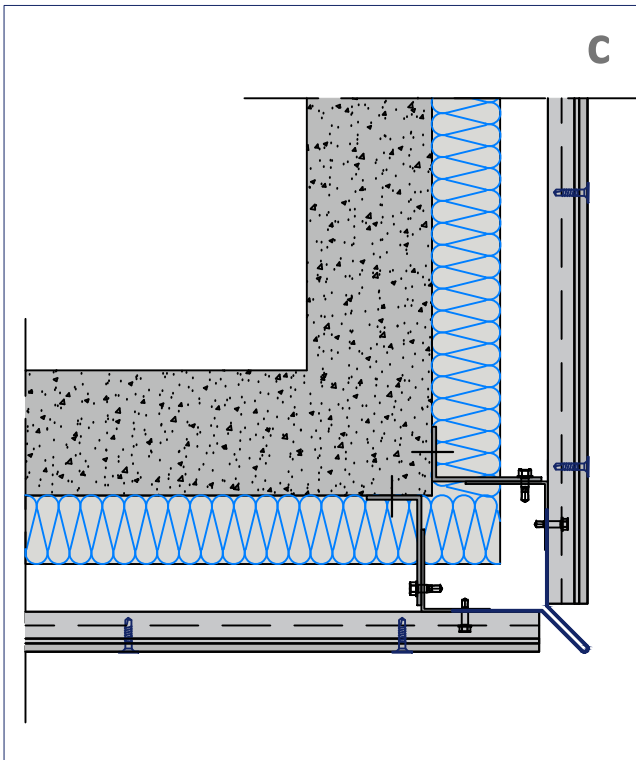
- 11. Ventilation grill
- 12. Coping flashing
- 13. Sill flashing
- 14. Lintel flashing
- 15. Jamb flashing
- 16. Metal flashing



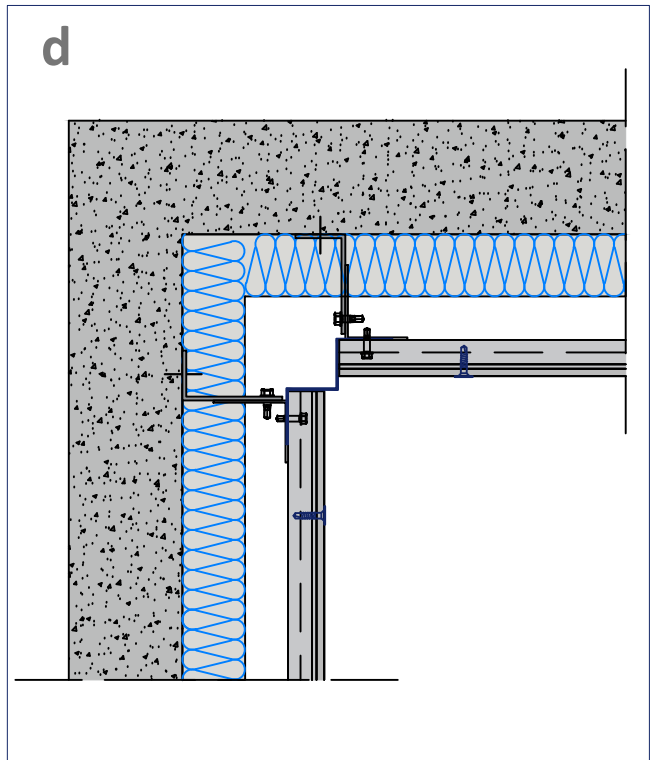
a



b



c



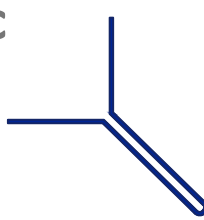
d



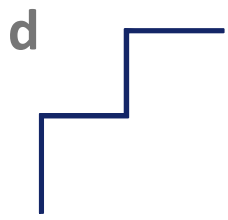
a



b



c



d