

HD DECK[®]



TECHNICAL SPECIFICATION

intertek
Total Quality Assured.

For more information please visit our website
www.composite-prime.com



TECHNICAL SPECIFICATION

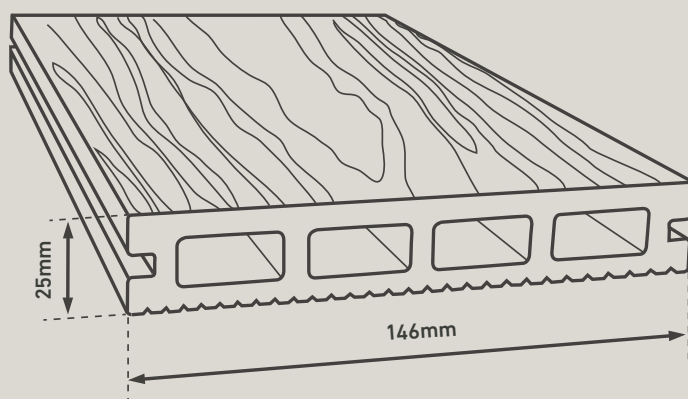


Test	Test Method	Test Description	HD DECK® 3D	Requirements
Slip Resistance	EN 15534-1:2014 Section 6.4.2 CEN/TS 15676:2007 EN 15534-4:2014 Section 4.4	Pendulum Wet Longitudinal	Mean: 56 Min: 55	≥ 36
		Pendulum Wet Horizontal	Mean: 63 Min: 62	
	EN 15534-1:2014 Section 6.4.2 CEN/TS 15676:2007 EN 15534-4:2014 Section 4.4	Pendulum Dry Longitudinal	Mean: 81 Min: 80	
		Pendulum Dry Horizontal	Mean: 86 Min: 85	
	DIN 51130:2014	Slip Resistance Oil-Wet Ramp Test	R10 13.8°	R9 = 6° $\chi \le 10^\circ$ R10 = 10° $\chi \le 19^\circ$ R11 = 19° $\chi \le 27^\circ$ R12 = 27° $\chi \le 35^\circ$ R13 = >35°
Flexural Properties (300mm)	EN 15534-1:2014 Annex A EN 15534-4:2014 Section 4.5.2	Bending Strength	28.1 MPa	-F' max: Mean ≥ 3300 N Min ≥ 3000 N
		Modulus of Elasticity	2901 MPa	
		Maximum Load	Mean: 4938 N Min: 4837 N	
		Deflection	Mean: 0.93mm Max.: 1.09mm	
Tensile Properties	EN 15534-1:2014 Section 7.2 ISO 527-2:2012	Tensile Strength	Mean Value: 19 MPa	
Impact Resistance	EN 15534-1:2014 Section 7.1.2.1 EN 15534-4:2014 Section 4.5.1	Falling Mass Impact	Max Crack Length (mm): No Crack Max Residual Indentation (mm): 0.21	Pass
	EN 15534-1:2014 Section 7.1.1 ISO 179-1:2010	Charpy Impact Strength	Mean value: 4.67 kJ/m2	Method of Designation ISO 179-1/1fU
Fire	EN ISO 9239-1:2010	Critical Heat Flux	Fire Behaviour: C fl Smoke Production: s1	The classification has been carried out in accordance with EN 13501-1
	EN ISO 11925-2:2010 Exposure = 15 s	Ignitability		
Water Absorption	EN 15534-1:2014 Section 8.3.3 EN 15534-4:2014 Section 4.5.5	Boiling Test (5 hours)	Water Absorption in Weight: Mean: 1.69% Max: 1.88%	Means ≤ 7% Max. ≤ 9%
	EN 15534-1:2014 Section 8.3.1 EN 15534-4:2014 Section 4.5.5	28 Days Immersion	Mean Swelling: 1.94% in thickness 0.06% in width 0.38% in length	Mean Swelling: ≤ 4% in thickness ≤ 0.8% in width ≤ 0.4% in length
			Max Swelling: 2.68% in thickness 0.12% in width 0.19% in length	Max Swelling: ≤ 5% in thickness ≤ 1.2% in width ≤ 0.6% in length
		Water Absorption: Mean: 3.32% Max: 3.52%	Water Absorption: Means ≤ 7% Max. ≤ 9%	
Density	EN 15534-1:2014 Section 6.2 ISO 1183-1:2012 Method A	Density	1.258 g/cm3	

These specifications represent the result of Intertek evaluation of HD Deck® 3D to the requirements of the standards listed above.



Board Dimensions:
25 x 146 x 3600mm



The mark of responsible forestry



Golden Oak



Black Oak



Burnished Oak

NOTE: The initial colour will change over the first 4-8 weeks after installation as the residue from the extrusion process is removed by natural exposure. After this initial adjustment, the board colour will stabilise.